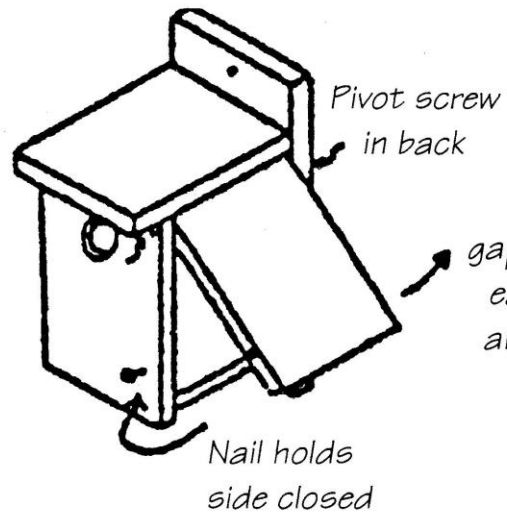
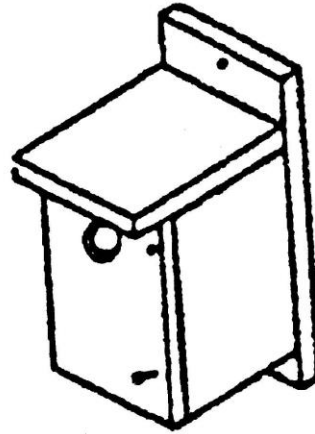
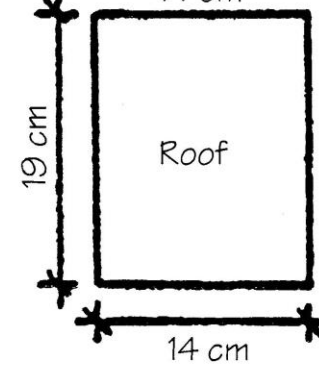
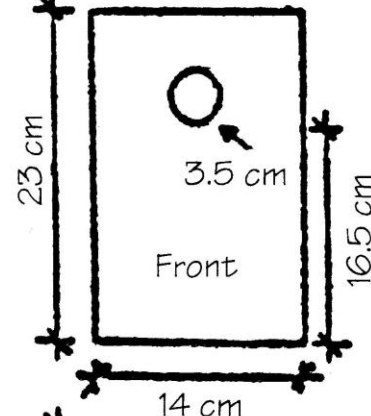
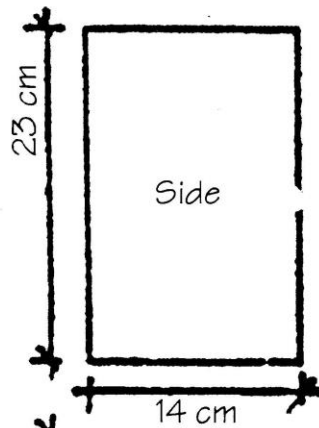
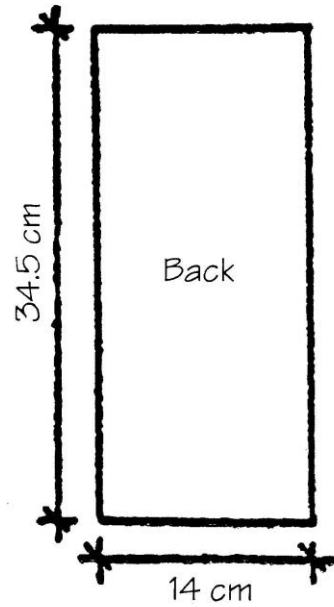
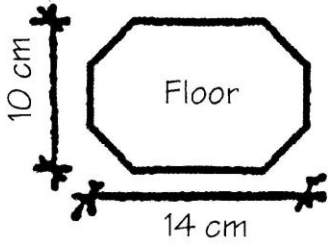


A Nest Box Plan

Cut off corners of floor for drainage and ventilation



Leave 5mm gap from roof for easier opening and ventilation

Length of timber required- 132.5 cm x 14 cm x 1.5 cm

